



Grupo
DORADOS S.L.
ELEVACION/MOVILIDAD
☎ 902 430 467

PORTABLE LIFTING PLATFORM

Portable Lifting Platform

The ideal solution where temporary wheelchair access is required to stages or mezzanine levels in schools, theatres, village halls etc.

Easy to Set Up

Self contained unit can be quickly moved into position. Simply plugs into existing power point, or, for short periods of use, built in batteries provide up to 30 cycles between charges.

Easy to Use

Convenient controls (remote option available) and shallow approach ramp to portable base frame. Large castors allow easy transportation from store room to point of use.

Easy to Store

Folds up for transportation to storage area. Plug-in charger keeps batteries topped-up for immediate re-use.

Safe

Arrestor bar on platform. Scissor mechanism fully enclosed by bellows. Low voltage operating system. Optional protective cover available.

Terry Group have a range of steplifts, platform & through-floor lifts to suit a wide range of domestic and public access applications.

Available Options

- Remote up/down control kit
- Wander lead
- External use
- Platform height adjustment
- Storage cover

Standard Specification

Typical Application: Ideal for stage / platform access. Wheelchair users only.

Maximum Travel: 1000mm

Unladen Weight: 140Kg

Internal Platform Size: 1450mm x 800mm

Closed Height: 100mm

Rated Speed: 0.06 mtrs / sec

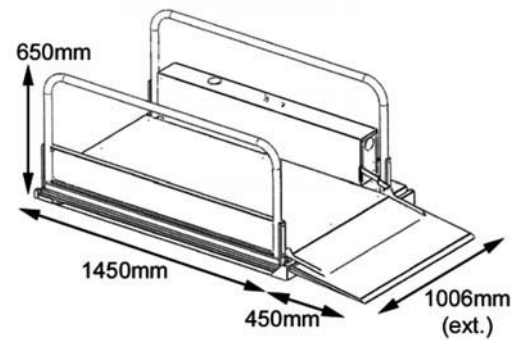
Safe Working Load: 250Kg

Lifting Mechanism: Electro Hydraulic

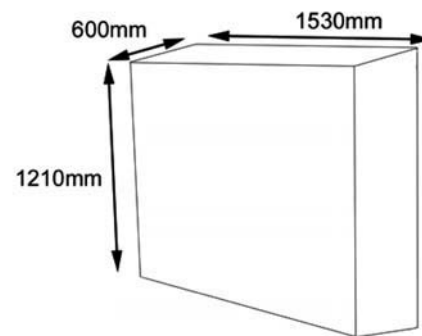
Electrical Supply: 240v, 13A Charger plugs into socket

Design Standard: CE Marked

Portable Lifting Platform Dimensions (in mm)



Folded Dimensions (in mm)



Lift in storage mode & being moved into location



Grupo®
DORADOS.L
elevación / movilidad
Tel. 902 430 467 Fax. 902 106 739
www.grupodorados.com
E.mail: info@grupodorados.com